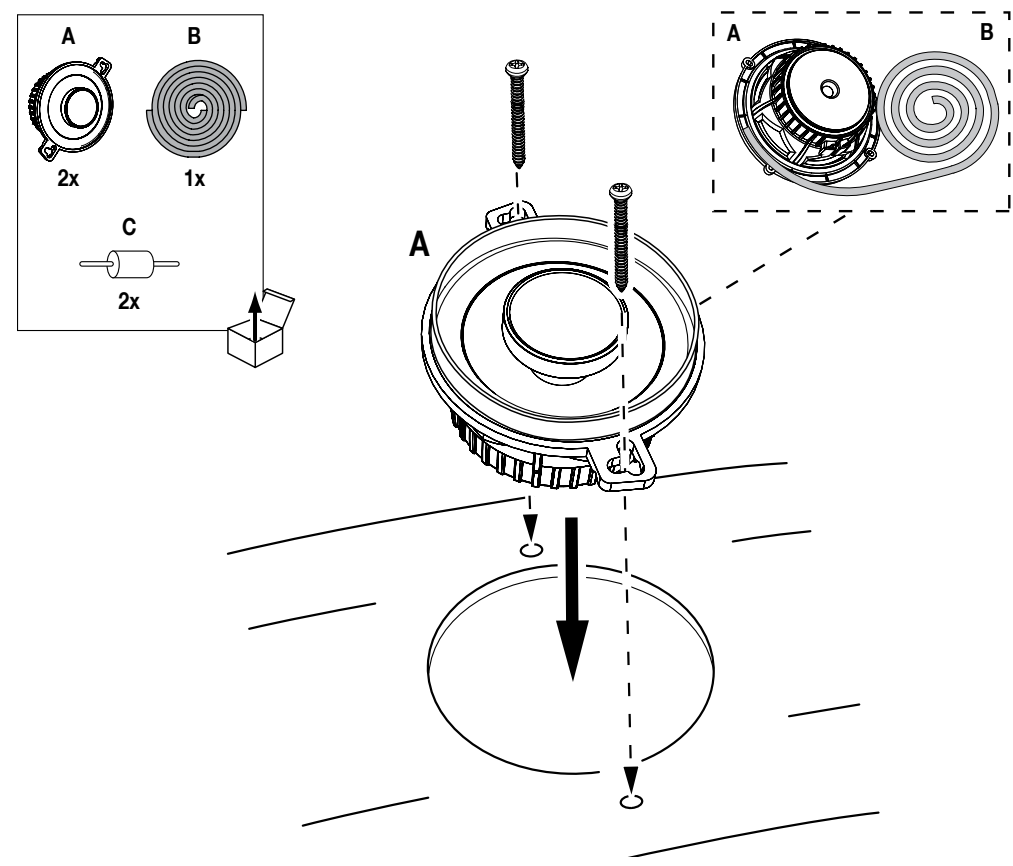
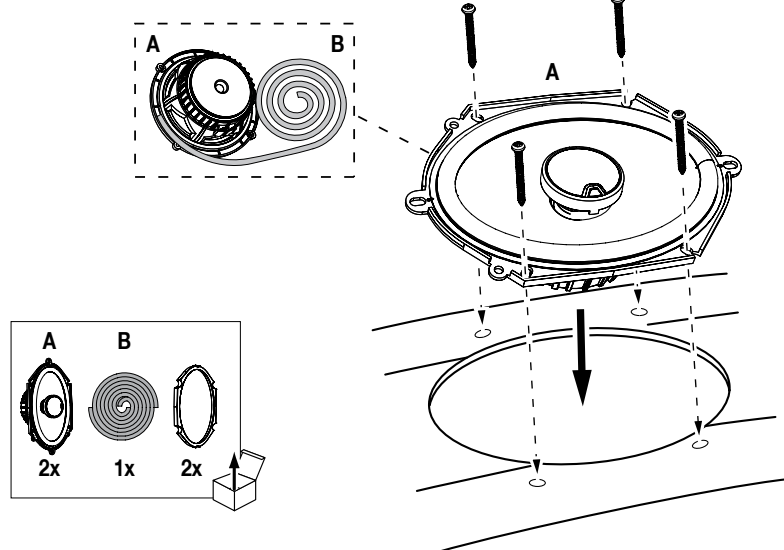


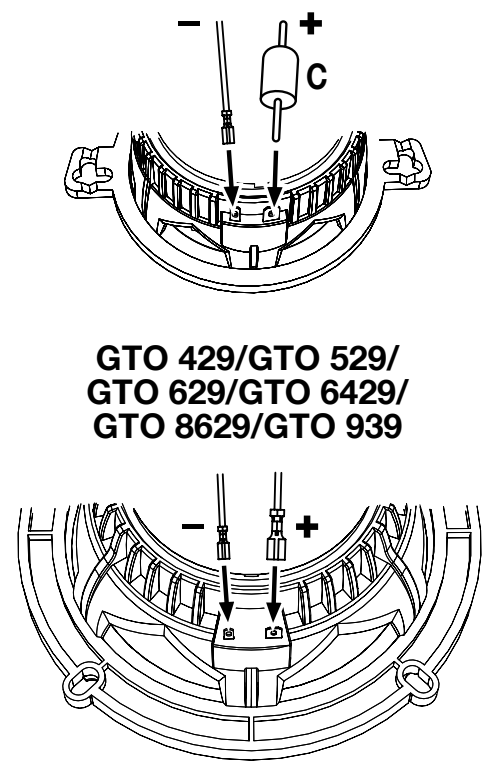
GTO 329



GTO 8629

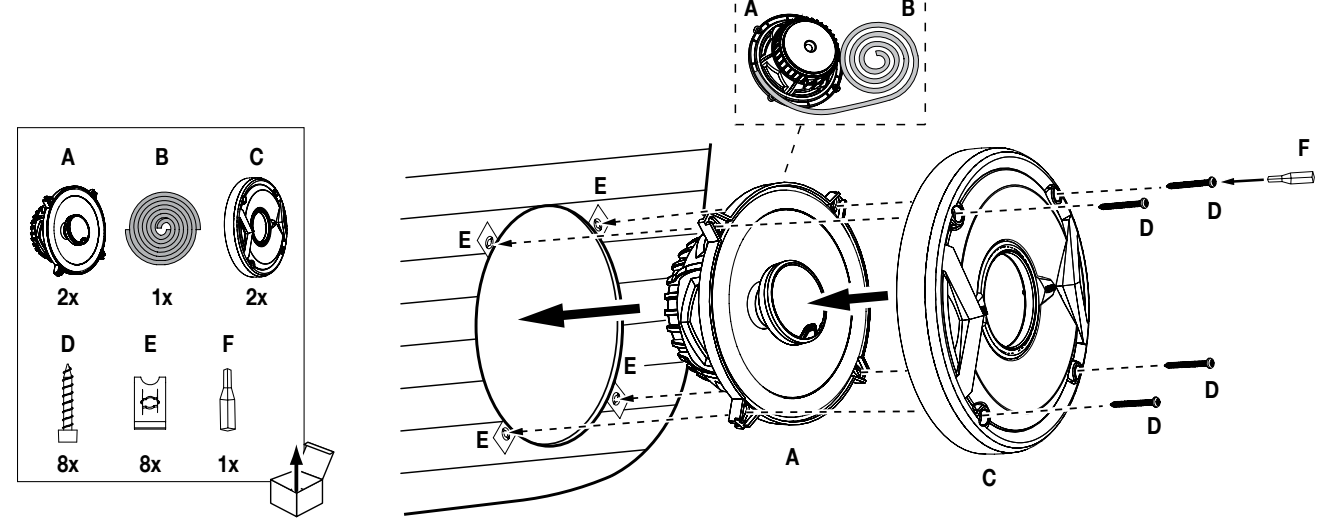


GTO 329

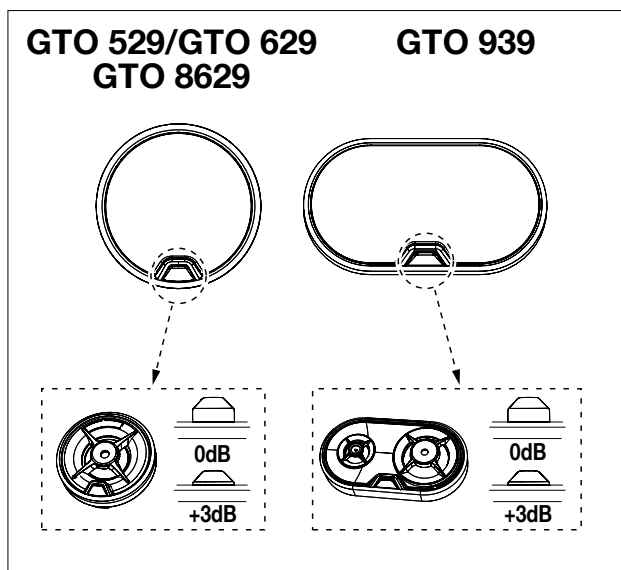
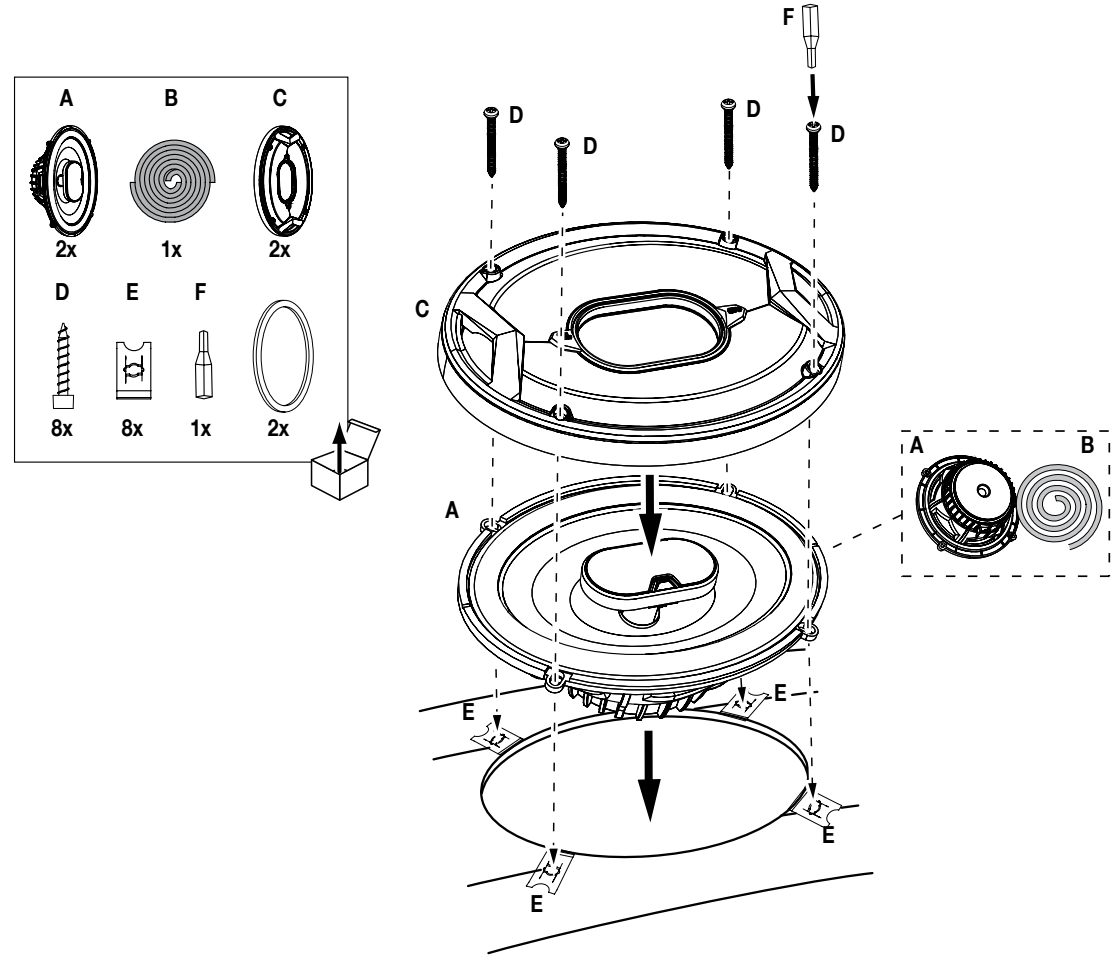


**GTO 429/GTO 529/
GTO 629/GTO 6429/
GTO 8629/GTO 939**

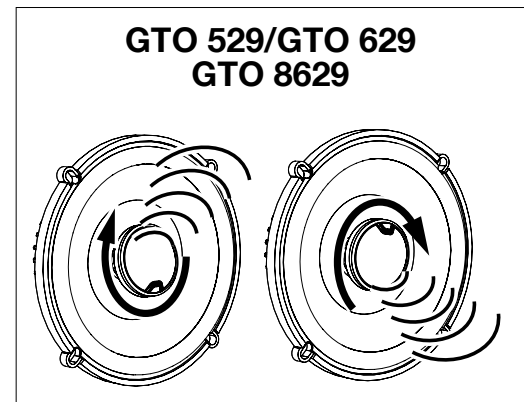
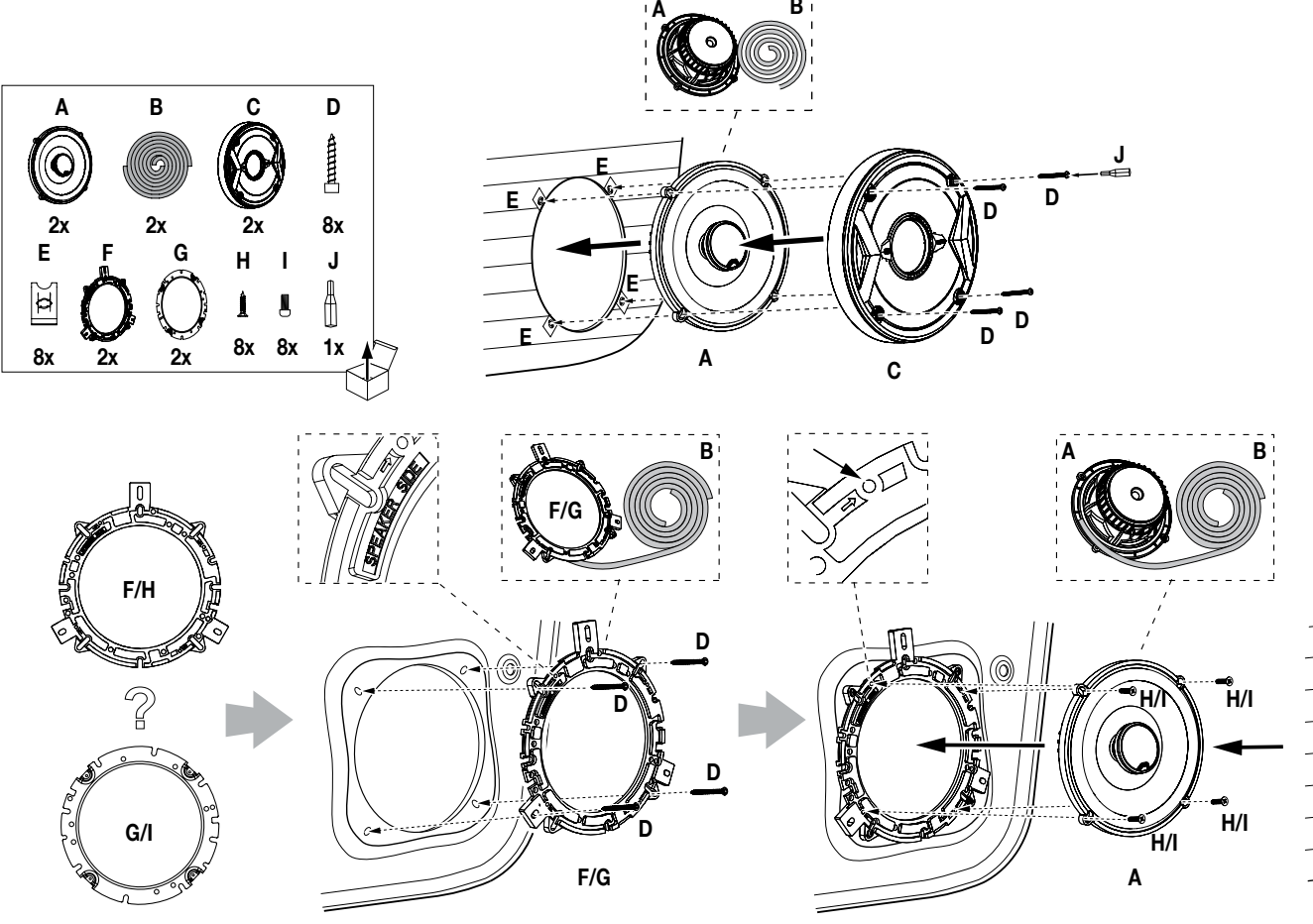
GTO 429/GTO 529



GTO 939

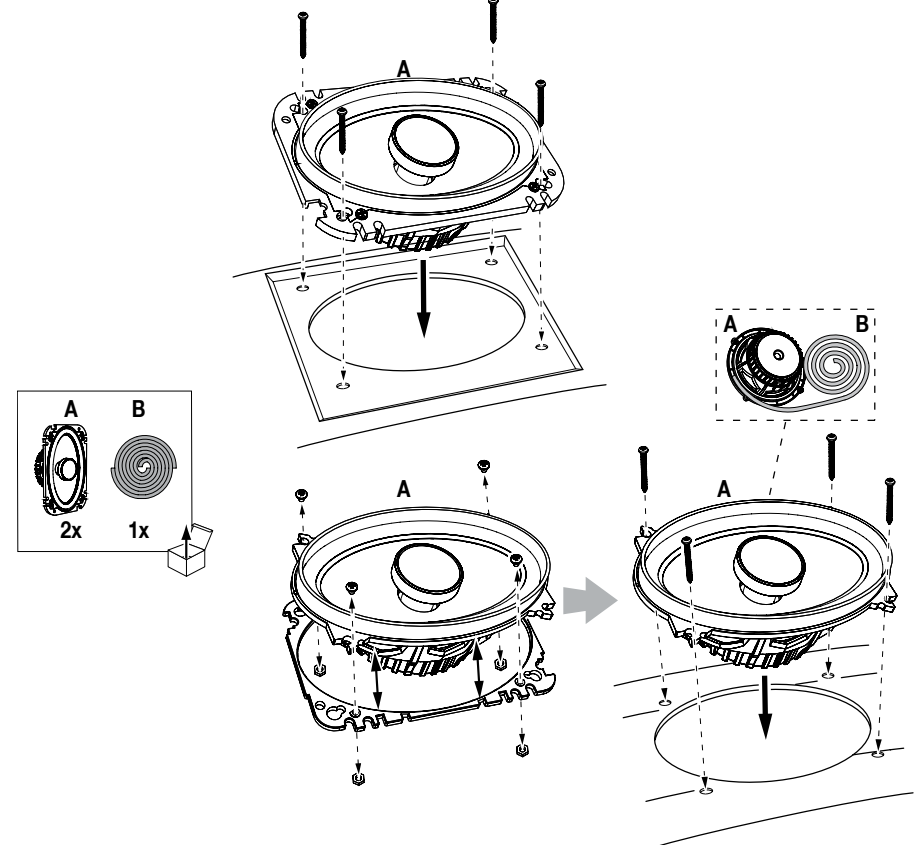


GTO 629



HARMAN International Industries, Incorporated
8500 Balboa Boulevard, Northridge, CA 91329 USA
© 2012 HARMAN International Industries, Incorporated. All rights reserved.
JBL and Grand Touring are trademarks of HARMAN International Industries, Incorporated.
Registered in the United States and/or other countries.
Features, specifications and appearance are subject to change without notice.
Part No. 950-0423-001 Rev. A

GTO 6429



GTO SERIES

GTO 329/GTO 429/GTO 529/GTO 629/
GTO 6429/GTO 8629/GTO 939

OWNER'S MANUAL

